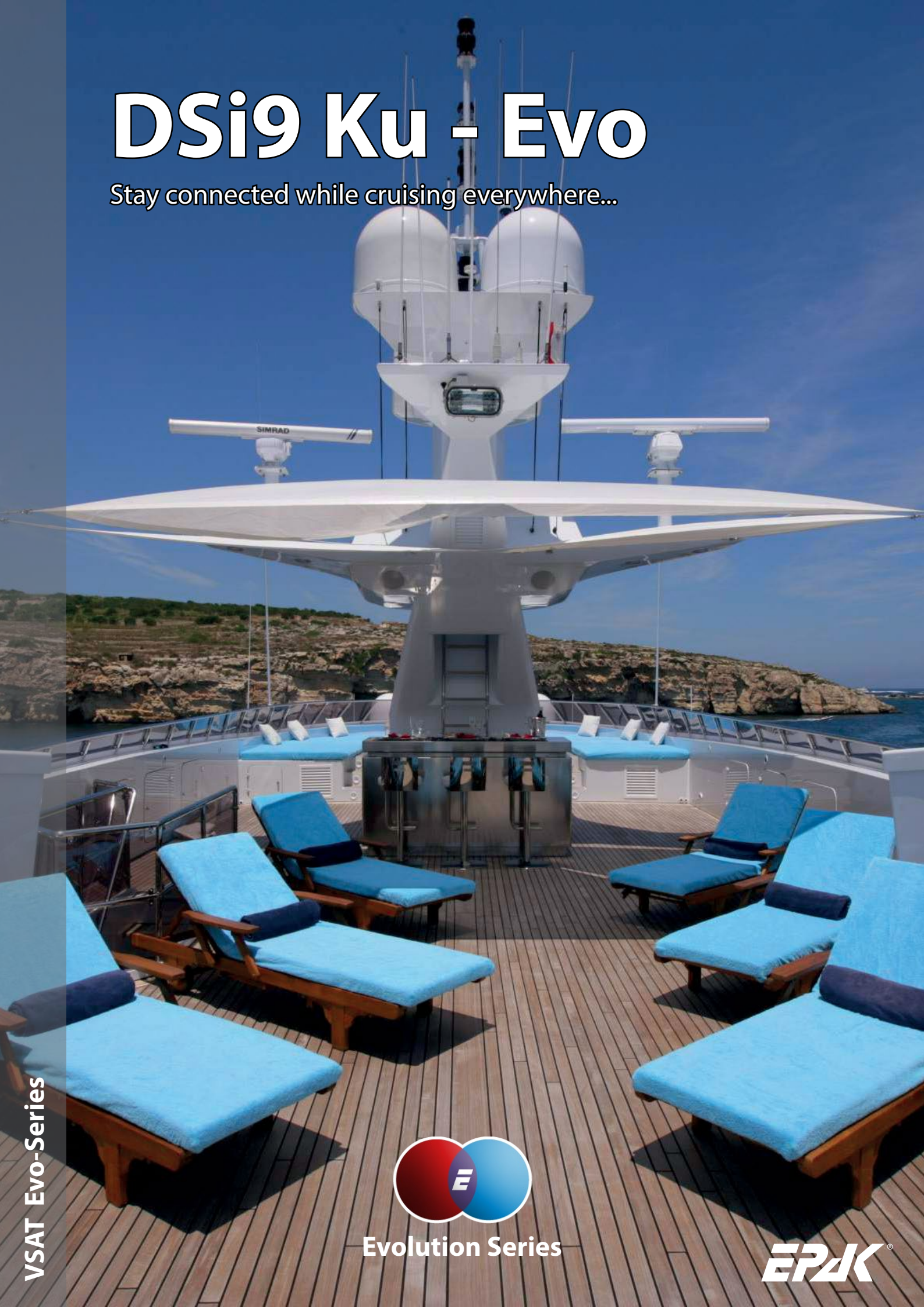


# DSi9 Ku - Evo

Stay connected while cruising everywhere...



VSAT Evo-Series



Evolution Series

**EPK**<sup>®</sup>

## DSi9 Ku - Evo

3-Axis Stabilized Maritime VSAT Antenna for Ku-Band Services  
with 90 cm Dish Diameter

### Easy installation

Simple 3-wire-coax cable connection between ODU and IDU

### Remote Management Access

Access, monitor and control the DSi9 from every location in the world. Therefore, a lot of automated system diagnostics including event logging can be done

### EPAK® Evolution

Most precise satellite pointing accuracy thanks to the combination of two different tracking systems, an Electronic Beamforming (EBF) Gyro together with a 3D Gyro module.

### Secured Traffic

If necessary, the whole traffic can be encrypted

### Flexible Networks

Configure three different networks to set variable prioritizations, handle each network separated and set up various user rights.

### Modem Platforms

The DSi9 is compatible with various modems such as STM, iDirect, Satnet, Hughes, Paradise Datacom, Romantis...

### Diversity Kit Compatibility

No more blind spots by combining the free line of sight ranges of two antennas in one bundle. That will prevent nearly any loss of satellite signals through blockades.

The **DSi9 Ku - Evo** is our most powerful VSAT antenna in Ku-band. Specifically built to work even in the harshest weather conditions, thanks to the top quality materials it is made of, the **DSi9 Ku** brings on your boat all the efficiency of the Ku-band, wherever you are.

Robust and rugged in its mechanics, the **DSi9 Ku - Evo** is the perfect choice for those who wants to sail in open seas without giving up on using a stable and fast internet connection as if they were at home.

Compatible with all the most common modems, the **DSi9 Ku - Evo** combine the power of the Ku-band with the use of a 90 cm diameter dish that allows you to have a high-quality signal reception and transmission.

### Benefits:

- **Evolution:** 2 Gyro techniques together for a perfect orientation
- Easy to install
- Up to 8 Mb/s in Download!
- Highest pointing accuracy due to EPAK®'s patented EBF-Gyro
- Range movement from -10° to 90°
- 90 cm dish for a better signal reception
- BUC electronically switchable in Xpol and CoPol operation



Evolution Series

**EPAK®**

## DSi9 Ku - Evo

### 3-Axis Stabilized Maritime VSAT Antenna for Ku-Band Services with 90 cm Dish Diameter



Evolution Series

#### Dimensions & Weight

Radome (D x H)	111 x 114 cm (43.9" x 44.9")
Weight (incl. Radome)	65 kg (143.3 lbs)

#### Shipping Dimensions

Box type	wooden box
With accessories	126 x 126 x 170 cm - 245 kg (49.57" x 49.57" x 66.93" - 539 lbs)
Without accessories	126 x 126 x 137 cm - 180 kg (49.57" x 49.57" x 54.02" - 396 lbs)

#### Reflector & Feed Subsystem

Reflector diameter	90 cm (35.43")
Minimum E.I.R.P.	44 dBW
LNB	Universal (PLL stabilized, internal Ref.)
BUC	Standard Ku (PLL stabilized, external Ref.)
Available BUC power	5 Watt, 7 Watt, 7 Watt SE (Super Extended)
RX Frequency	10.7 - 12.75 GHz (LOF 9.75/10.6 GHz)
TX Frequency	Standard: 14.0 - 14.5 GHz (LOF 13.05 GHz) , Super-Extended: 13.75 - 14.5 GHz (LOF 12.8 GHz)
RX/TX polarisation	X-Pol and Co-Pol

#### Drive Subsystem

Tracking sensor	EPAK® Evo: Electronic Beamforming (EBF-Gyro) + 3D Gyro module
Maximum tracking speed	up to 30° /s (each axis)
Azimuth movement	unlimited
Elevation movement	-10° to 90°
Skew movement	Automated +/- 120° from zero point
Motion system	3-axes servo belt

#### Power Specification

Power supply	24 VDC via Antenna Control Unit (ACU)
Power consumption	20-40 VA (only ODU), BUC excluded

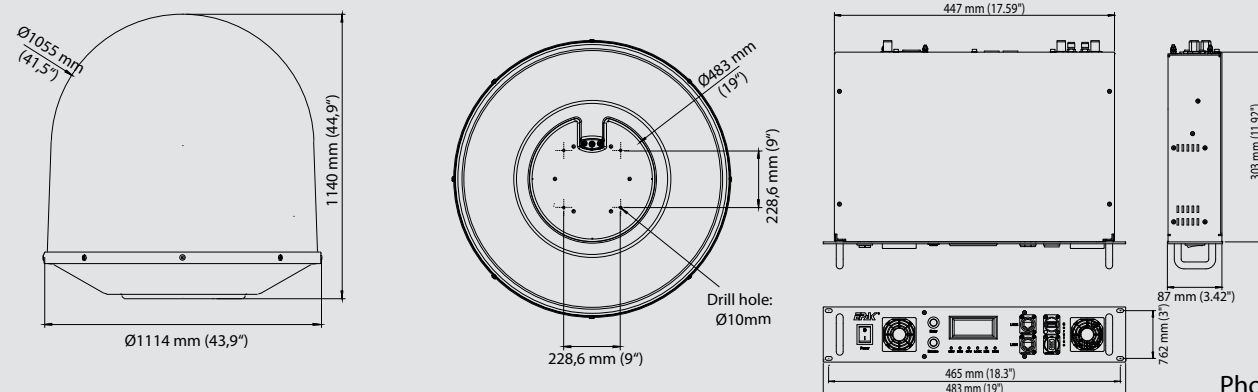
#### Miscellaneous

Lock on time	typ. 30 sec.
Satellite acquisition	Completely automated by DVB-S2-Receiver and Modem confirmation (according to ETSI 302 340)
EPAK® Diversity-Kit compatible	✓
Operation temperature	-20°C to 55°C
Storage temperature	-30°C to 85°C

#### Antenna Control Unit

Dimensions	48,3 cm x 9 cm x 37,4 cm (19" - 2RU)
Power supply	220 V AC - 50 Hz
Power consumption	100 VA
Operating temperature	-20° to 55°C
Storage temperature	-30° to 85°C

#### Radome and ACU Dimensions



**EPAK GmbH**  
Spinnereistr. 7  
04179 Leipzig, Germany  
Phone +49 (0) 341 2 12 02 60  
Fax +49 (0) 341 2 12 02 66

For more informations visit [www.epak.de](http://www.epak.de)